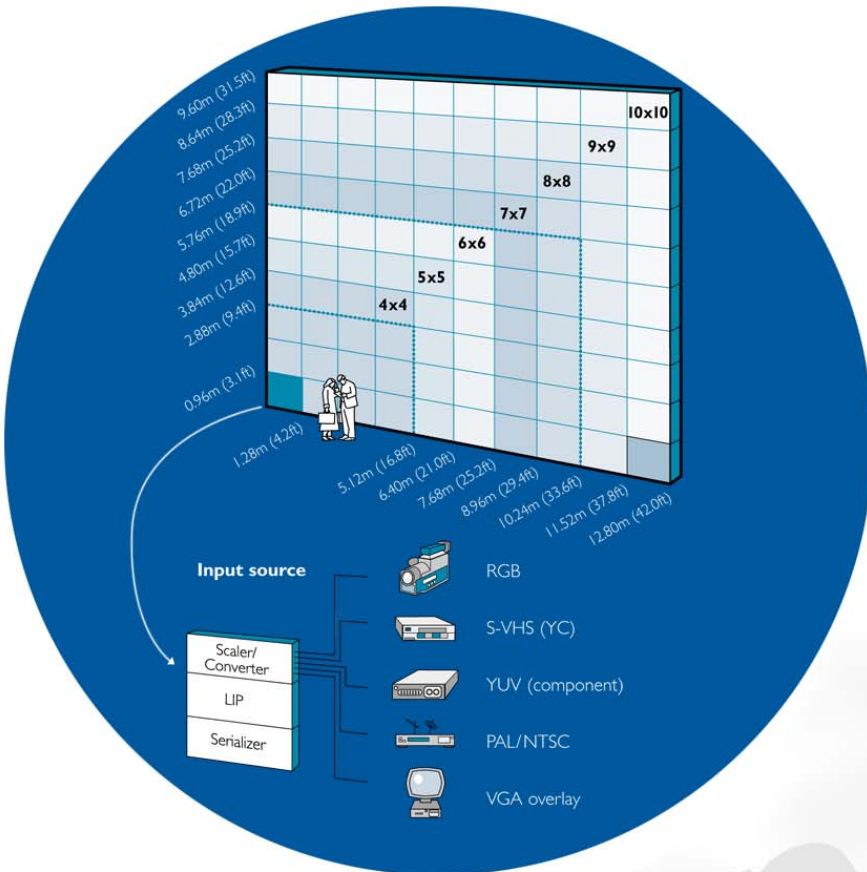


# LVP 20



**grandischermi.net**

**Nicoletta Bozzo**

Senior Production Manager

Tel +39.011.3811253

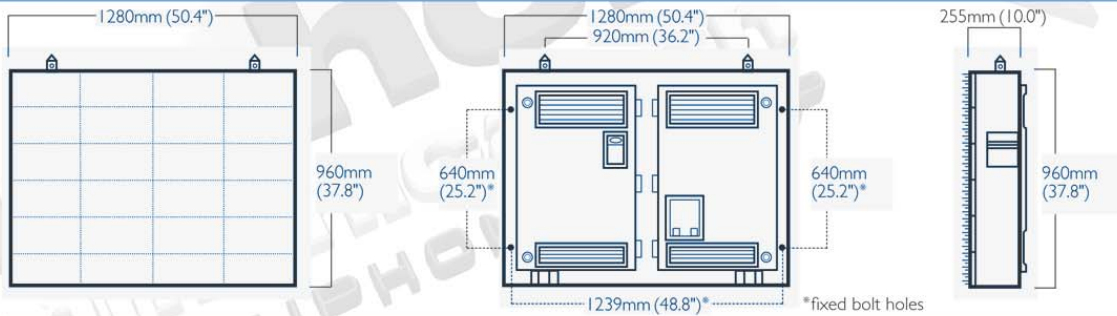
Fax +39.011.3811250

nicoletta.bozzo@euphon.it

www.grandischermi.net

www.euphoncommunication.it

## LVP20



<b>brightness</b>	5600 nits	<b>video display refresh</b>	60 frames per second
<b>viewing angle horizontal</b>	140° (50% brightness)	<b>display refresh rate</b>	1000Hz typical
<b>viewing angle vertical</b>	60° (50% brightness)	<b>video input</b>	RGB HV, RGB, YUV, YC, composite, VGA overlay
<b>pixel pitch</b>	20mm	<b>lifetime (50% brightness)</b>	>100,000 hours
<b>pixel density</b>	2500 per m <sup>2</sup>	<b>diagonal</b>	63" (1600mm)
<b>pixel configuration</b>	RGB, 2, 1, 1	<b>operating temperature</b>	-20 to 40°C
<b>colours</b>	16.7 million	<b>power consumption</b>	400 watts (40% of maximum)
<b>processing depth</b>	10 bit		

Standard 4:3 aspect ratio (16:9 aspect also possible)						Panel	Average power consumption* Europe (240 volts) US (110 volts)			
LVP20 panel	Panel total	Size (m <sup>2</sup> )	Size (ft <sup>2</sup> )	Dimensions w x h (m) w x h (ft)		Pixel resolution w x h	Total weight <sup>1</sup> kg (lb)	Total (watts)	I Phase (amps)	I Phase (amps)
1	1	1.28	13.22	1.28 x 0.96	4.2 x 3.2	64 x 48	95 (209)	400	1.7	3.6
4 x 4	16	19.66	211.52	5.12 x 3.84	16.8 x 12.6	256 x 192	1520 (3344)	6400	26.7	58.2
5 x 5	25	30.72	330.50	6.40 x 4.80	21.0 x 15.7	320 x 240	2375 (5225)	10000	41.7	90.9
6 x 6	36	44.24	475.92	7.68 x 5.76	25.2 x 18.9	384 x 288	3420 (7524)	14400	60.0	130.9
7 x 7	49	60.21	647.78	8.96 x 6.72	29.4 x 22.0	448 x 336	4655 (10241)	19600	81.7	178.2
8 x 8	64	78.64	846.08	10.24 x 7.68	33.6 x 25.2	512 x 384	6080 (13376)	25600	106.7	232.7
9 x 9	81	99.53	1070.81	11.52 x 8.64	37.8 x 28.3	576 x 432	7695 (16929)	32400	135.0	294.6
10 x 10	100	122.88	1321.99	12.80 x 9.60	42.0 x 31.5	640 x 480	9500 (20900)	40000	166.7	363.6

\*Based on typical power consumption being 40% of maximum.